

## Door blank with Chen-Chen veneer - 55 mm stiles and rails - SBD 4

**Construction:**

- 1,5 mm Chen-Chen veneer
- 1,5 mm cross grain veneer
- 1,5 mm long grain veneer
- 0,3 mm Aluminium - moisture barrier - stabilizer
- 1,5 mm long grain inner veneer
- Insulation - Polystyrene/2 x 4 mm plywood
- 1,5 mm long grain inner veneer
- 0,3 mm Aluminium - moisture barrier - stabilizer
- 1,5 mm long grain veneer
- 1,5 mm cross grain veneer
- 1,5 mm Chen-Chen veneer

**U-Value:**

U-Value - W/m <sup>2</sup> K						
44 mm	54 mm	58 mm	60 mm	68 mm	80 mm	88 mm
1,13	0,91	0,85	0,82	0,72	0,61	0,57

Size 1000 mm x 2000 mm  
 Heat conductivity is calculated on the basis of the practical heat conductivity of each included material - taken from data sheets and DS418, version 6, 2002. Also relating to EN 12524.

**Weight:**

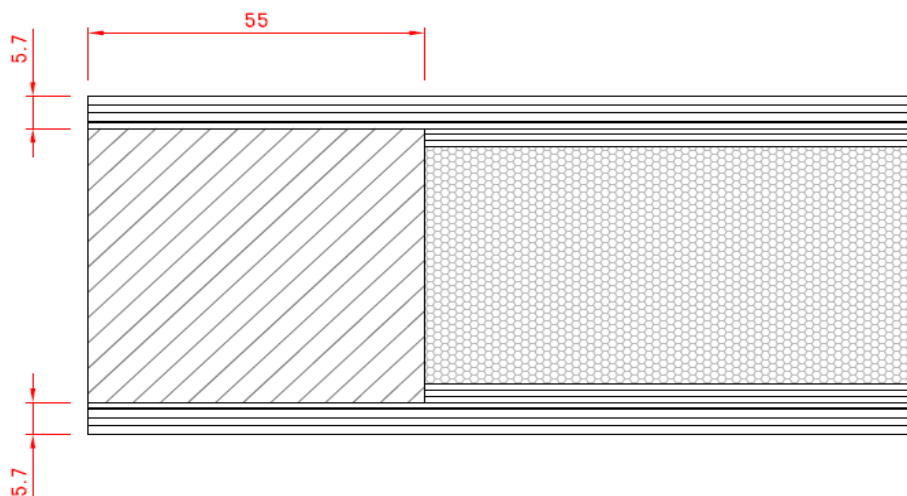
Weight appr. Kg./m <sup>2</sup>						
44 mm	54 mm	58 mm	60 mm	68 mm	80 mm	88 mm
14,3	15,3	15,7	16,0	16,8	18,0	18,9

Size 1000 mm x 2000 mm

**Measure:** Min.: 250 x 450 mm - Max.: 1200 x 2400 mm

**Tolerances:** Width/Height: +/- 1 mm - Diagonal: +/- 2 mm - Thickness: +/- 0,8 mm

**Section drawing:**



O.H.Industri A/S  
 Smedevej 17  
 DK - 7430 Ikast  
 +45 9725 1200  
[www.ohindustri.com](http://www.ohindustri.com)

Made: 05.03.14	Data sheet: PMN	Draw.: HMN
Revised:	Data sheet:	Draw.: