

## Door blank with Chen-Chen veneer - 110 mm stiles and rails

**Construction:** 1,5 mm Chen-Chen veneer  
 1,5 mm cross grain veneer  
 1,5 mm long grain veneer  
 0,3 mm Aluminium - moisture barrier - stabilizer  
 1,5 mm long grain inner veneer  
 Insulation - Polystyrene ( Appr. 20 kg/m<sup>3</sup> - heat conductivity: 0,034 W/mK )  
 1,5 mm long grain inner veneer  
 0,3 mm Aluminium - moisture barrier - stabilizer  
 1,5 mm long grain veneer  
 1,5 mm cross grain veneer  
 1,5 mm Chen-Chen veneer

### U-Value:

U-Value - W/m <sup>2</sup> K								
44 mm	54 mm	58 mm	60 mm	64 mm	68 mm	73 mm	80 mm	88 mm
1,21	1,01	0,98	0,92	0,88	0,83	0,78	0,72	0,66

Size 1000 mm x 2000 mm

Heat conductivity is calculated on the basis of the practical heat conductivity of each included material - taken from data sheets and DS418, version 6, 2002. Also relating to EN 12524.

### Weight:

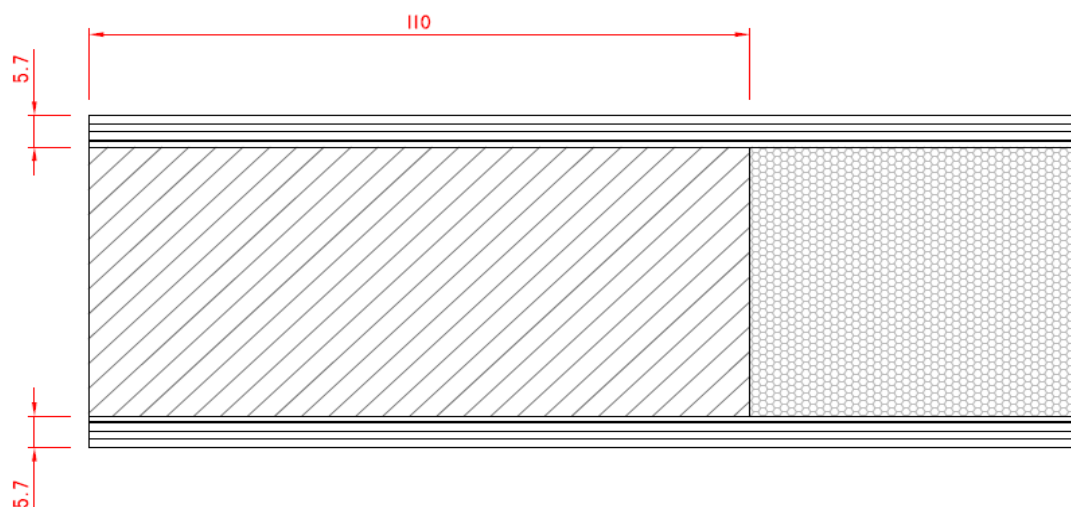
Weight appr. Kg./m <sup>2</sup>								
44 mm	54 mm	58 mm	60 mm	64 mm	68 mm	73 mm	80 mm	88 mm
13,0	14,6	15,3	15,6	16,3	17,0	17,8	19,0	20,3

Size 1000 mm x 2000 mm

**Measure:** Min.: 250 x 450 mm - Max.: 1200 x 2400 mm

**Tolerances:** Width/Height: +/- 1 mm - Diagonal: +/- 2 mm - Thickness: +/- 0,8 mm

### Section drawing:



O.H.Industri A/S  
 Smedevej 17  
 DK - 7430 Ikast  
 +45 9725 1200  
[www.ohindustri.com](http://www.ohindustri.com)

Made: 05.03.14	Data sheet: PMN	Draw.: HMN
Revised:	Data sheet:	Draw.: