

Aluminium Door Panels

Facing: Outside 1,5 mm Aluminium, powder coated
Inside 1,5 mm Aluminium, powder coated or 12 mm MDF

Core: Polystyrene insulation
Please notice: Avoid solvent based impregnation, as this will damage the EPS core

Flush ALU/ALU:	Rebate thickness	24 mm	40 mm
	Total thickness	N/A	40 mm
	Glass thickness	N/A	32 mm
	U-Value - W/m ² K	N/A	0,83
	Weight appr. Kg./m ²	N/A	9,7

Profiled ALU/ALU:	Rebate thickness	24 mm	40 mm
	Total thickness	N/A	44 mm
	Glass thickness	N/A	36 mm
	U-Value - W/m ² K	N/A	0,77
	Weight appr. Kg./m ²	N/A	9,8

Profiled ALU/MDF:	Rebate thickness	24 mm	40 mm
	Total thickness	34 mm	50 mm
	Glass thickness	22 mm	38 mm
	U-Value - W/m ² K	1,18	0,79
	Weight appr. Kg./m ²	13,7	14,2

Heat conductivity is calculated on the basis of the practical heat conductivity of each included material - taken from data sheets and DS418:2011.
Size 1000 x 2000 mm. / Values are calculated, not tested.

Measure: Min.: 450 x 1000 mm - Max.: 1000 x 2200 mm

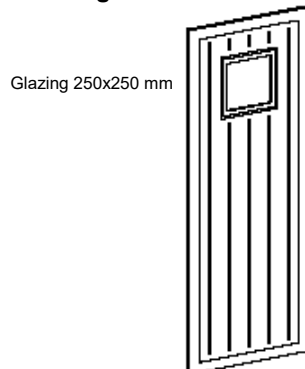
Tolerances:

Panel: Width/Height: +/- 1 mm - Diagonal: +/- 1,5 mm - Thickness: +/- 0,8 mm

Facing: Measurements on facing is before final sanding

Core: Inserts: +/- 1 mm on plywood

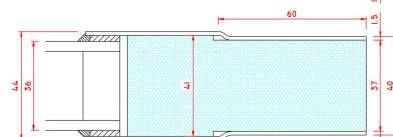
Section drawing:



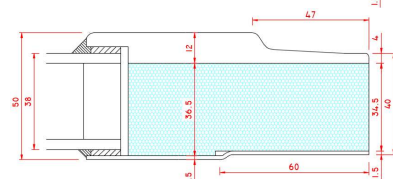
Flush ALU/ALU



Profiled ALU/ALU



Profiled ALU/MDF



Made: 14.08.2020	Data sheet: CRS	Draw.: CRS
Revised: 26.11.2020	Data sheet: OLN	Draw.: CRS